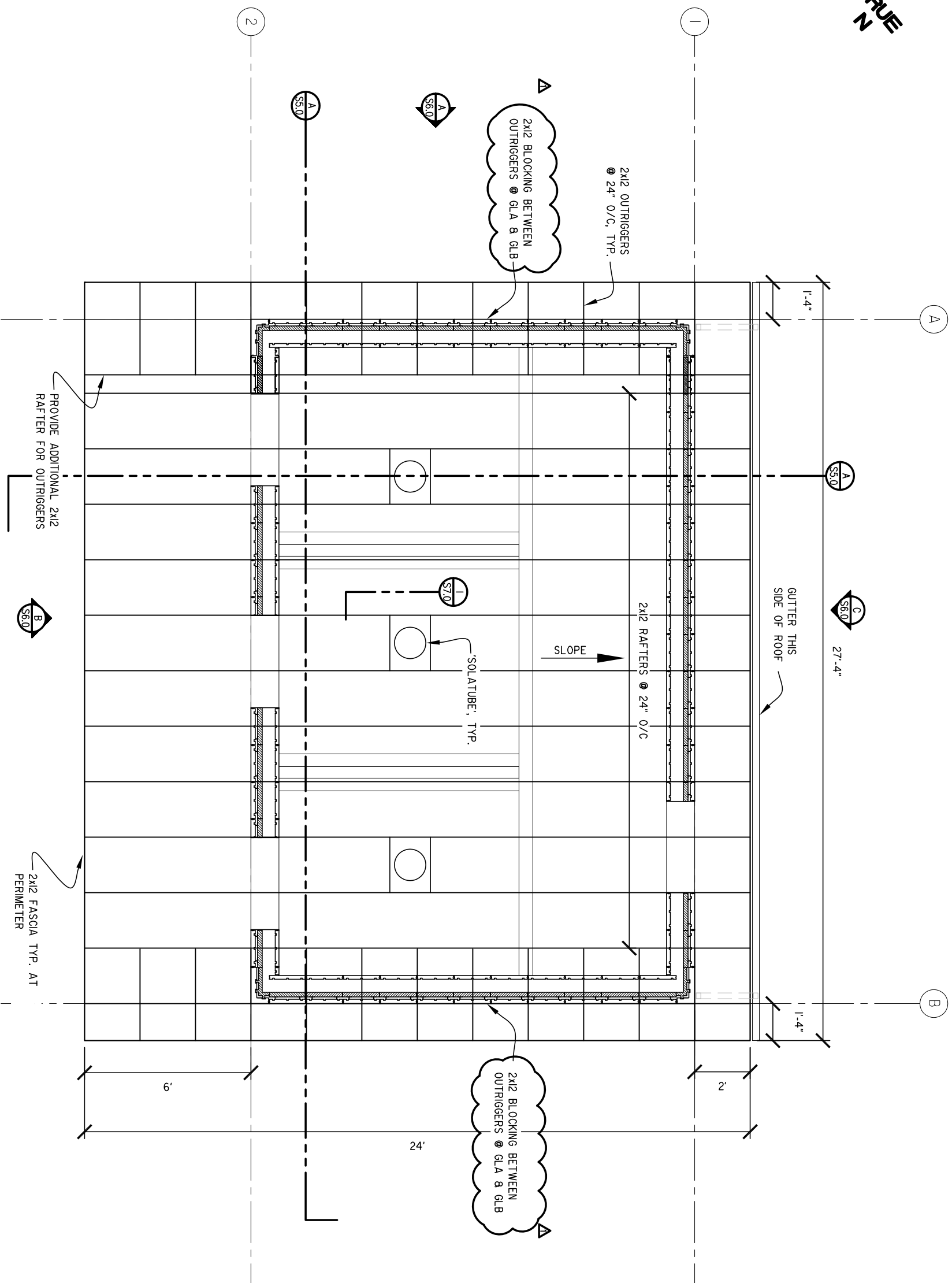


PLAN TRUE



**A** ROOF FRAMING PLAN  
 SCALE: 1/2"=1'-0" (22X34) 1/4"=1'-0" (11X17)

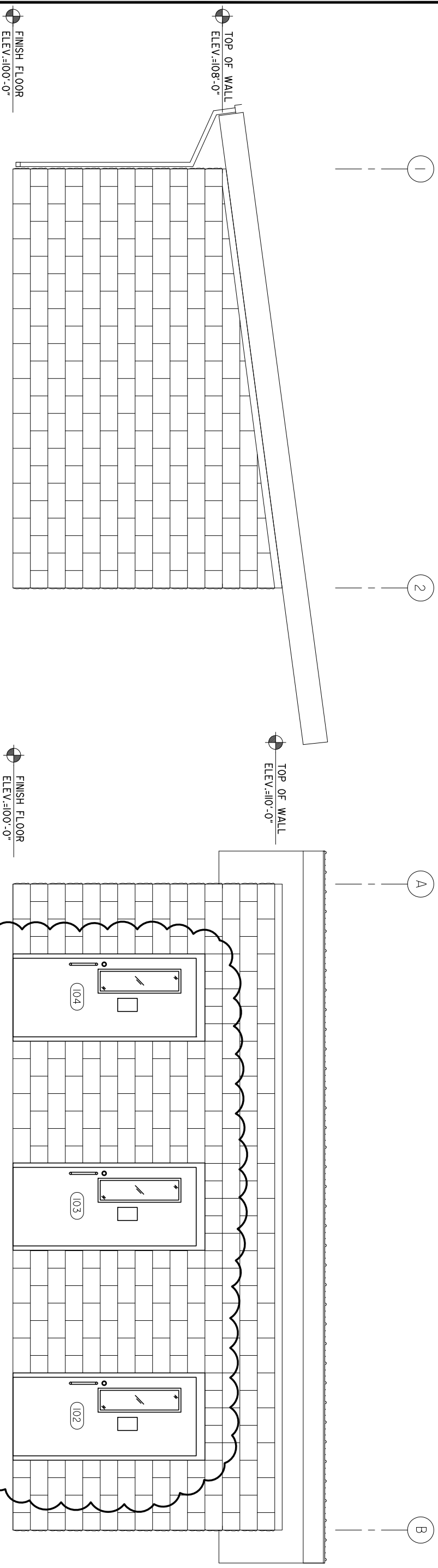
PROJECT NO. 1515  
 DRAWN BY: MJD  
 CHECKED BY: WJN  
 DATE: 07/02/2015  
 SCALES: NOTED  
 HORIZ. NOTED  
 VERT. NOTED  
 SHEET: S4.0  
 10 OF 15

**RAMP 5 RESTROOMS**  
**CITY OF HOMER**  
**SMALL BOAT HARBOR**  
 ROOF FRAMING PLAN

**NELSON ENGINEERING**  
 CONSULTING ENGINEERS  
 STRUCTURAL/CIVIL  
 155 BIDARKA ST  
 KENAI, AK 99611  
 TEL. (907) 283 - 3583  
 NELSONENGINEER@ALASKA.NET

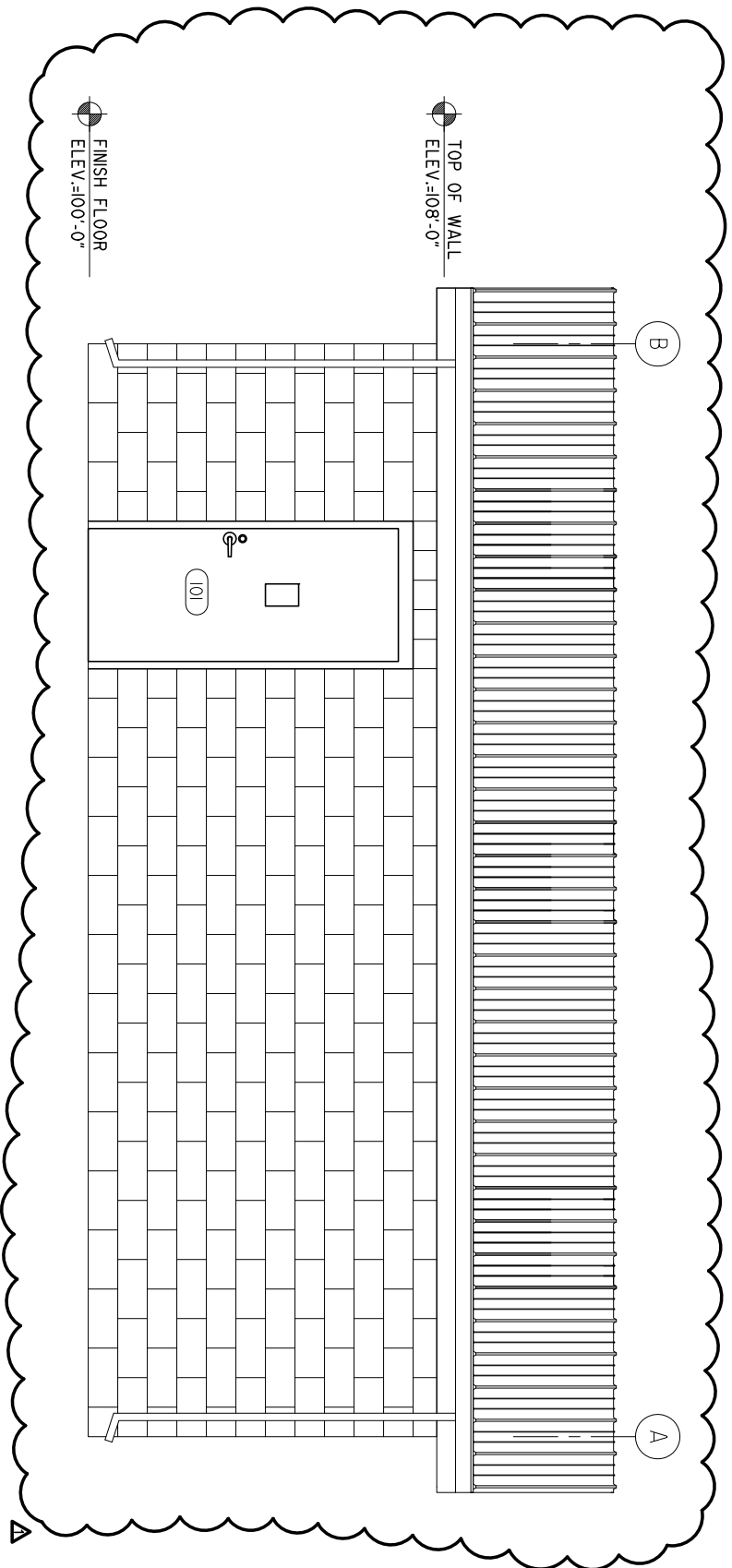
NO.	REVISION	DATE
▲	ADDENDUM #1	7/29/15





**A** SIDE ELEVATION  
 SCALE: 1/2"=1'-0" (22X34) 1/4"=1'-0" (11X17)

**B** FRONT ELEVATION  
 SCALE: 1/2"=1'-0" (22X34) 1/4"=1'-0" (11X17)



**C** REAR ELEVATION  
 SCALE: 1/2"=1'-0" (22X34) 1/4"=1'-0" (11X17)

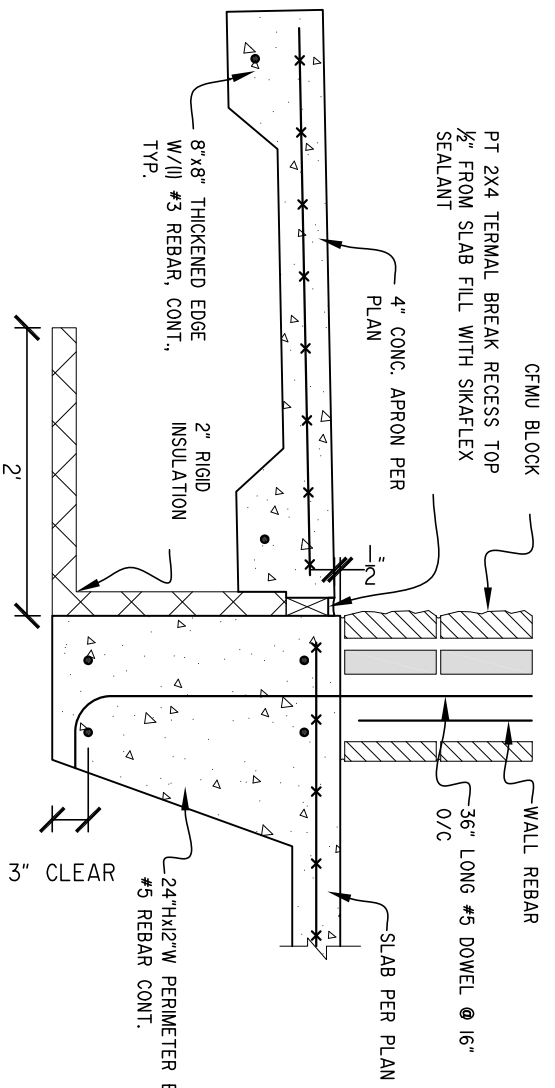
NO.	REVISION	DATE
1	ADDENDUM #1	7/29/15



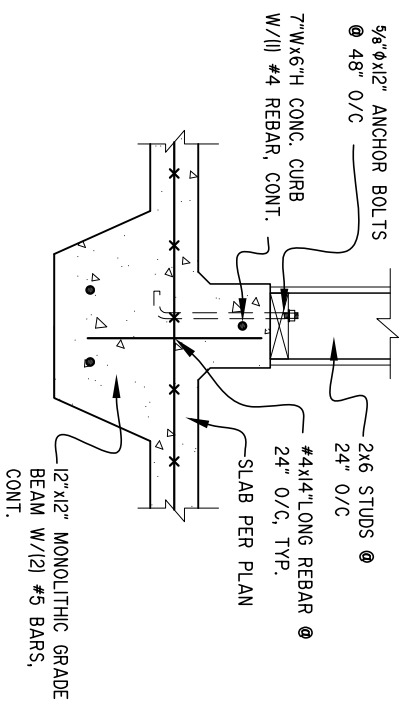
**CONSULTING ENGINEERS  
 STRUCTURAL/CIVIL**  
 155 BIDARKA ST  
 KENAI, AK 99611  
 TEL. (907) 283 - 3583  
 NELSONENGINEER@ALASKA.NET

**RAMP 5 RESTROOMS  
 CITY OF HOMER  
 SMALL BOAT HARBOR**  
 ELEVATIONS

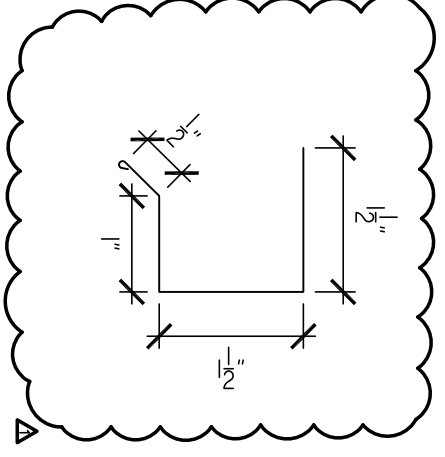
PROJECT NO. 1515  
 DRAWN BY: MJD  
 CHECKED BY: WJN  
 DATE: 07/02/2015  
 SCALES: NOTED  
 HORIZ. NOTED  
 VERT. NOTED  
 SHEET: **S6.0**  
 12 OF 15



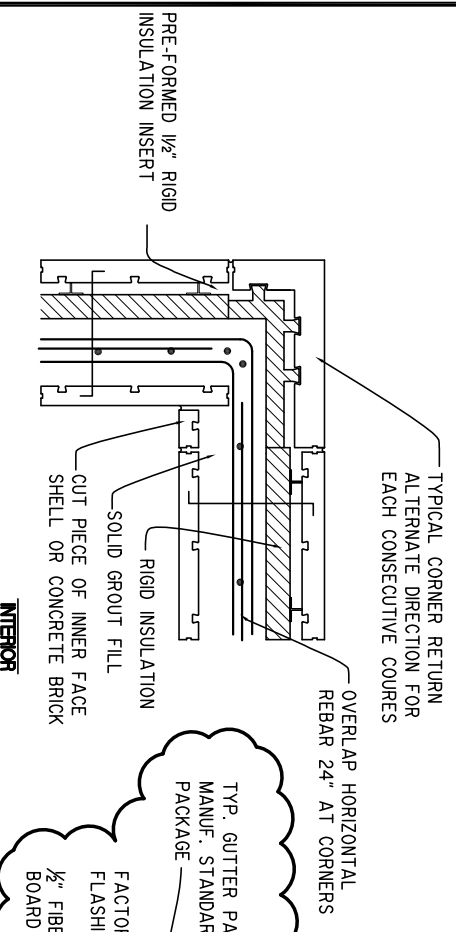
**A PERIMETER BEAM @ CONC. APRON**  
 SCALE: 1-1/2"=1'-0" (22X34) 3/4"=1'-0" (11X17)



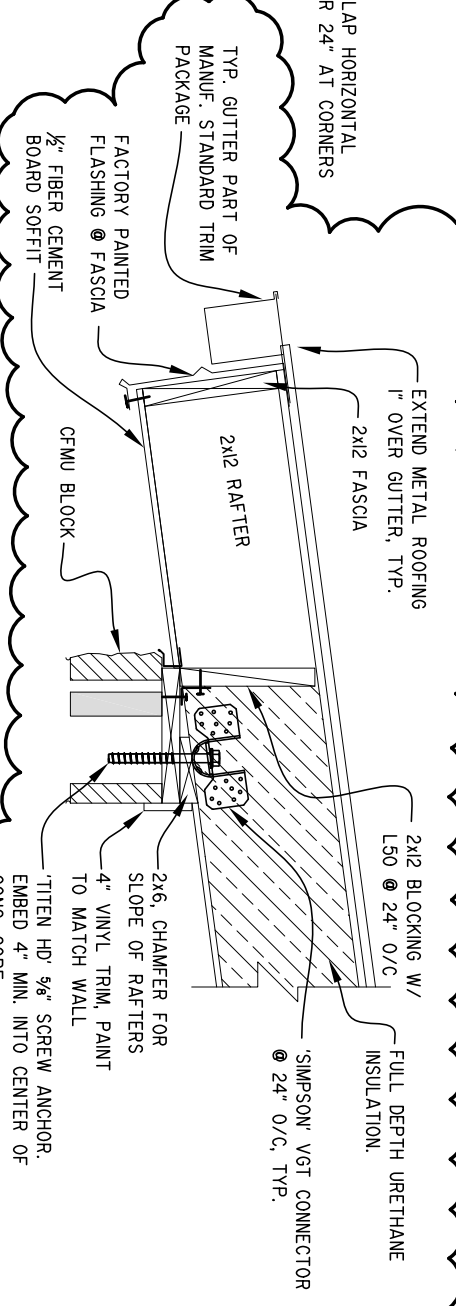
**B INTERIOR GRADE BEAM**  
 SCALE: 1-1/2"=1'-0" (22X34) 3/4"=1'-0" (11X17)



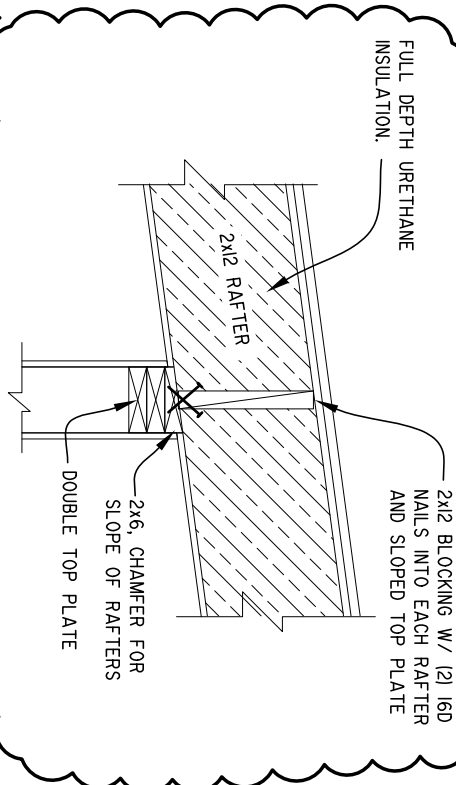
**C FLASHING DETAIL**  
 SCALE: NTS



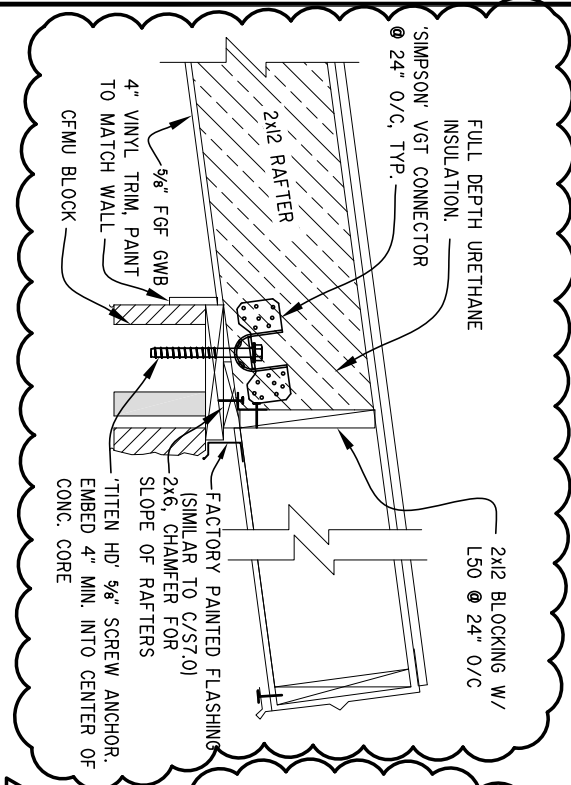
**D CFMU REINFORCEMENT @ CORNERS**  
 SCALE: 1-1/2"=1'-0" (22X34) 3/4"=1'-0" (11X17)



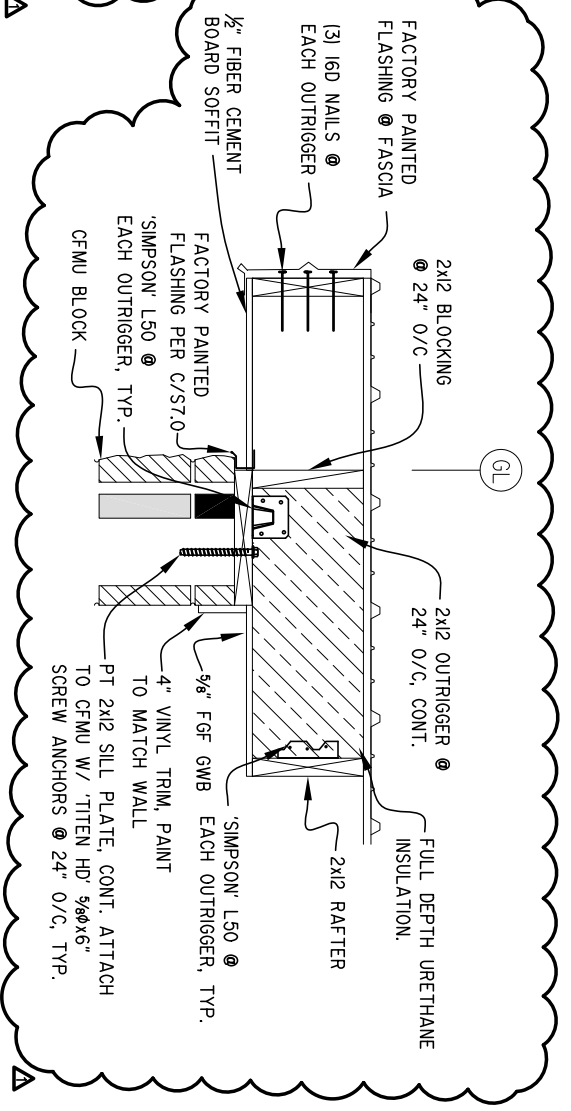
**E RAFTER BEARING @ CFMU**  
 SCALE: 1-1/2"=1'-0" (22X34) 3/4"=1'-0" (11X17)



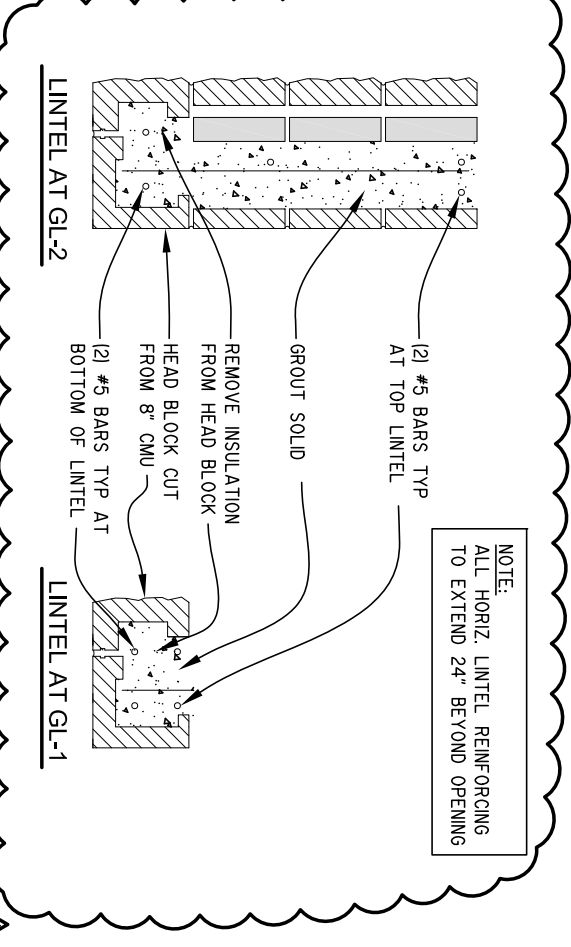
**F RAFTER BEARING @ INTERIOR WALL**  
 SCALE: 1-1/2"=1'-0" (22X34) 3/4"=1'-0" (11X17)



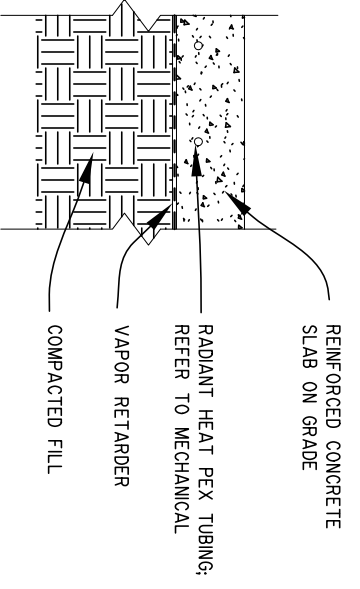
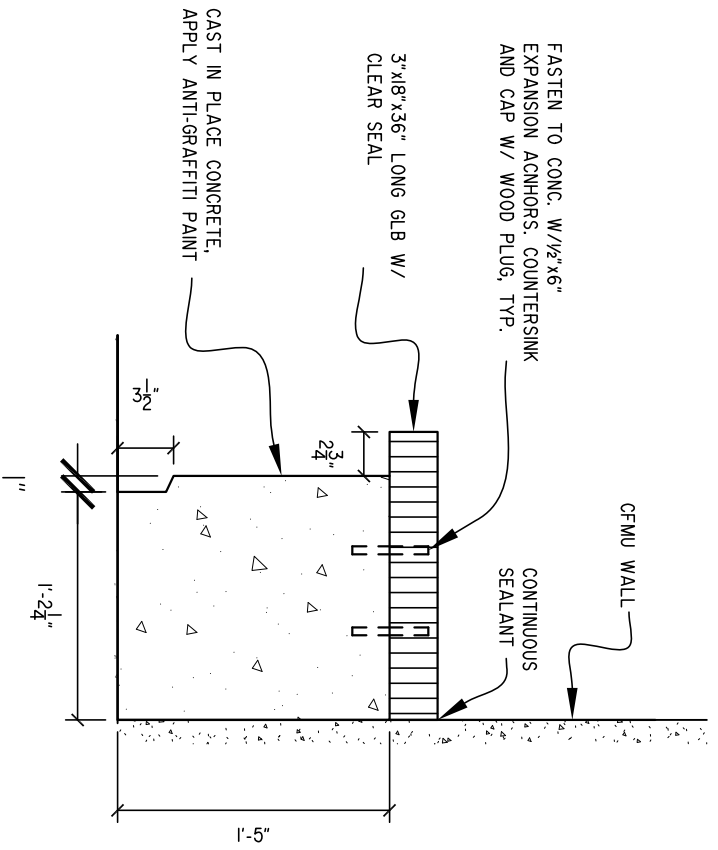
**G RAFTER BEARING @ CANTILEVER**  
 SCALE: 1-1/2"=1'-0" (22X34) 3/4"=1'-0" (11X17)



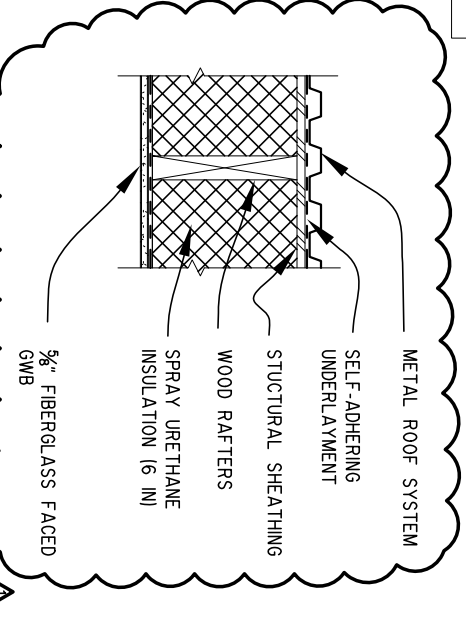
**H OUTRIGGER FRAMING**  
 SCALE: 1-1/2"=1'-0" (22X34) 3/4"=1'-0" (11X17)



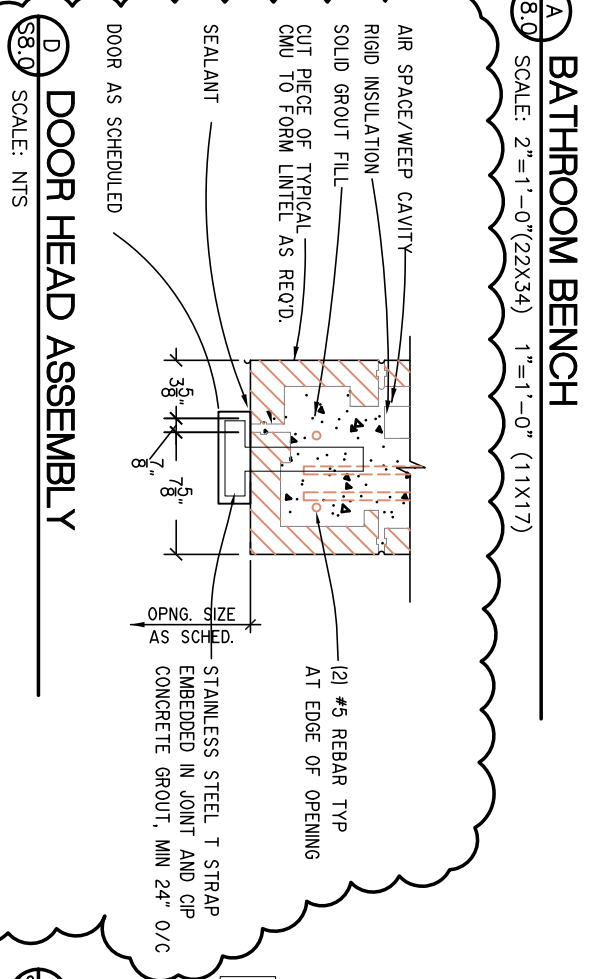
**I TYP LINTEL CONSTRUCTION**  
 SCALE: 1-1/2"=1'-0" (22X34) 3/4"=1'-0" (11X17)



**1** CONCRETE SLAB ON GRADE



**2** ROOF ASSEMBLY - METAL

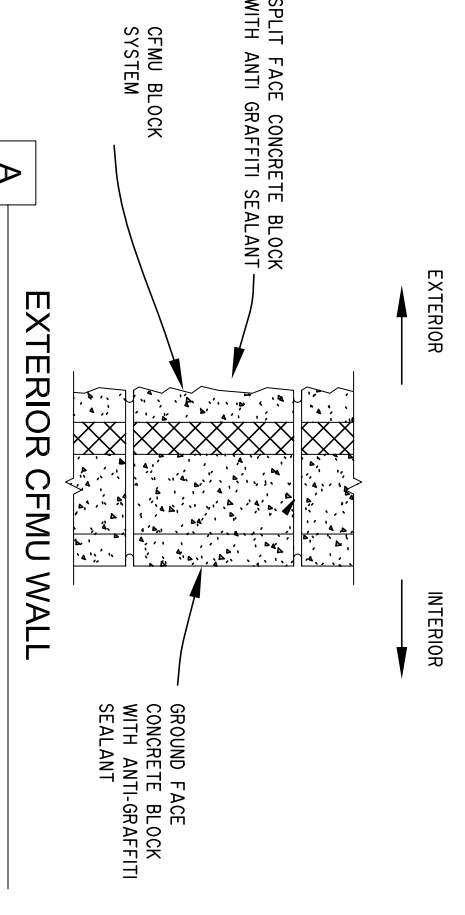


**A** BATHROOM BENCH

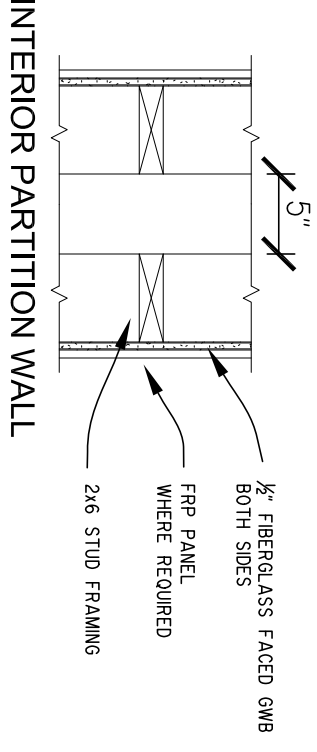
S8.0 SCALE: 2"=1'-0" (22X34) 1"=1'-0" (11X17)

**B** FLOOR AND ROOF ASSEMBLIES

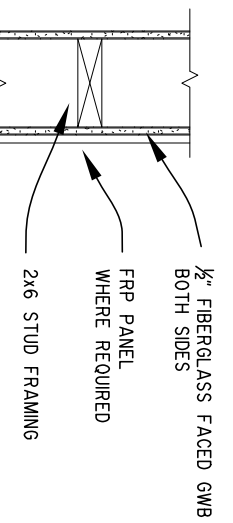
S8.0 SCALE: NTS



**A** EXTERIOR CFMU WALL



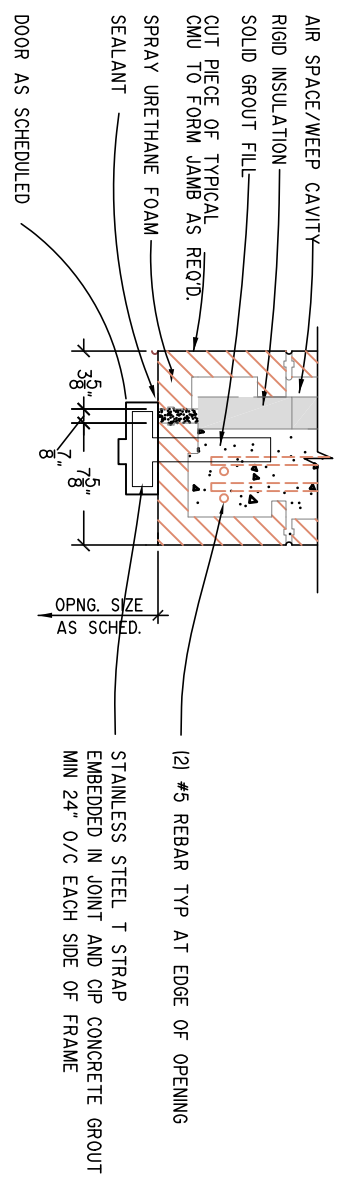
**B** INTERIOR PARTITION WALL



**C** INTERIOR PARTITION WALL

**C** WALL ASSEMBLIES

S8.0 SCALE: NTS



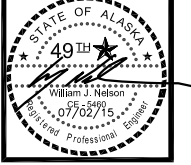
**D** DOOR HEAD ASSEMBLY

S8.0 SCALE: NTS



**E** DOOR JAMB ASSEMBLY

S8.0 SCALE: NTS



NO.	REVISION	DATE
1	ADDENDUM #1	7/29/15

**CONSULTING ENGINEERS**  
**STRUCTURAL/CIVIL**  
 155 BIDARKA ST  
 KENAI, AK 99611  
 TEL. (907) 283 - 3583  
 NELSONENGINEER@ALASKA.NET

**RAMP 5 RESTROOMS**  
**CITY OF HOMER**  
**SMALL BOAT HARBOR**  
 DETAILS

PROJECT NO. 1515  
 DRAWN BY: MJD  
 CHECKED BY: WIN  
 DATE: 07/02/2015  
 SCALES: NOTED  
 HORIZ. NOTED  
 VERT. NOTED  
 SHEET: S8.0  
 14 OF 15