

**ADDENDUM NO. 2  
TO THE BID DOCUMENTS**

**Project:** Waddell Way Road and Water Main Improvements 2016  
**Addendum Issue Date:** February 25, 2016  
**Bid Date:** March 3, 2016 @ 2:00 PM (Thursday)  
**Previous Addenda Issued:** Addendum #1  
**Issued By:** Carey Meyer *CSM*  
City Engineer  
City of Homer  
Homer, AK 99603  
[cmeyer@ci.homer.ak.us](mailto:cmeyer@ci.homer.ak.us)

-----  
Bidders must acknowledge receipt of this addendum prior to the date set for bid opening by one of the following methods:

- (1) By acknowledging receipt of this addendum in the bid submitted (**use addendum acknowledgement form provided in bid documents**).
- (2) By facsimile (fax) or email which will need to include a reference to the project and each of the addendum numbers.

The bid documents require acknowledgement individually of all addenda to the drawings and/or specifications. This is a mandatory requirement and any bid received without acknowledgment of receipt of addenda may cause the bid to be considered non-responsive.

-----

**ELECTRICAL ITEMS:**

**ITEM 1 – Are the spare 4’ conduits (shown on sheet H2, Conduit Note 2) to be connected between the two junction boxes?**

Answer: No. These conduits are not dedicated for street lights. These 3-60 foot long conduits are to be installed (at a depth of 3’ from finished grade) in a location determined in the field and shall capped at both ends.

**ITEM 2 – Please clarify Illumination Note 2 on Sheet H2. Does this note imply that there will be no slices in junction box?**

Answer: The intent of Note 2 is to eliminate splices in the junction box.

**ITEM 3 – Is the attached 3c#8 *General Cable* power cable an acceptable substitute for the *Shawflex* Cable specified? Also, would the attached *Howard* street light luminaire be an acceptable substitute?**

Answer: The attached cut sheets showing *General Cable*’s FR-EPR/CPE power cable and *Howard*’s URL Series, LED Roadway, 3M: Type III, High Efficiency luminaire are acceptable substitutes for those shown on the plans or in the specifications.

End Addendum #2

# FREP®

## FR-EPR/CPE, Low-Voltage Power, Unshielded 600 V, UL Type TC-ER<sup>1</sup>—Method 4 Color Code

### Product Construction:

#### Conductor:

- 14 AWG thru 750 kcmil tinned, annealed copper per ASTM B33
- Class B stranding per ASTM B8

#### Insulation:

- Flame-Retardant Ethylene Propylene Rubber (FR-EPR) Type II
- Color-coded per ICEA Method 4; individual conductors colored black with conductor number surface printed in contrasting ink

#### Ground:

- Uninsulated tinned annealed copper per ASTM B3
- Class B stranding per ASTM B8

#### Jacket:

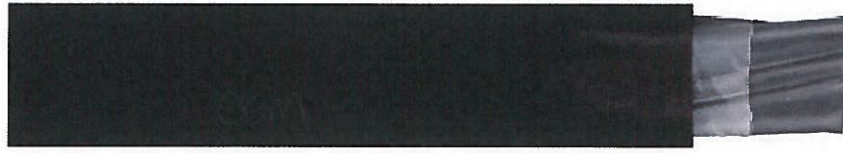
- Lead-free, flame-retardant thermoplastic Chlorinated Polyethylene (CPE)

#### Print:

- GENERAL CABLE® (PLANT OF MFG) FREP® XX/C XXAWG WITH GRND EPR/CPE (UL) TYPE TC-ER XHHW-2 CDRS 90°C WET OR DRY 600 V DIR BUR SUN RES DAY/MONTH/YEAR OF MFG SEQUENTIAL FOOTAGE MARK

### Applications:

- In free air, raceways or direct burial
- In wet or dry locations
- Permitted for Exposed Run (ER) use in accordance with NEC for 3 or more conductors
- Permitted for use in Class I, Division 2 industrial hazardous locations per NEC



### Features:

- Rated at 90°C wet or dry
- Ripcord applied to all cables with jacket thickness of 60 mils or less
- Excellent physical, thermal and electrical properties
- Excellent moisture resistance
- Excellent resistance to crush, compression cuts and heat deformation
- Excellent low temperature cold bend characteristics
- Excellent flame resistance—burns to ash; does not exhibit thermoplastic drip
- Low coefficient of friction for easy pulling
- Sunlight- and weather-resistant
- Meets cold bend test at -40°C

### Compliances:

#### Industry Compliances:

- UL 44 Type XHHW-2
- UL 1277 Type TC-ER, UL File # E57179
- UL 1581
- ICEA S-95-658/NEMA WC70

#### Flame Test Compliances:

- UL 1581/UL 2556 VW-1
- UL 1685 Vertical Flame Test
- IEEE 383
- IEEE 1202
- CSA FT4
- ICEA T-29-520

#### Other Compliances:

- EPA 40 CFR, Part 261 for leachable lead content per TCLP
- OSHA Acceptable
- RoHS Compliant

### Packaging:

- Material cut to length and shipped on non-returnable wood reels

CATALOG NUMBER	NO. OF COND.	COND. SIZE (AWG/kcmil)	COND. STRAND	GROUND WIRE SIZE (AWG)	MINIMUM AVG. INSULATION THICKNESS		MINIMUM AVG. JACKET THICKNESS		NOMINAL CABLE O.D.		COPPER WEIGHT		NET WEIGHT		
					INCHES	mm	INCHES	mm	INCHES	mm	LBS/1000 FT	kg/km	LBS/1000 FT	kg/km	
<b>14 AWG - 750 kcmil CONDUCTORS</b>															
383830*	3	14	7W	14	0.030	0.76	0.045	1.14	0.390	9.91	55	82	118	176	
296450*	3	12	7W	12	0.030	0.76	0.045	1.14	0.435	11.05	87	129	160	238	
296440*	3	10	7W	10	0.030	0.76	0.060	1.52	0.485	12.32	136	202	237	353	
279660	3	8	7W	10	0.045	1.14	0.060	1.52	0.655	16.64	190	283	314	467	
279670	4	8	7W	10	0.045	1.14	0.060	1.52	0.720	18.29	242	360	393	585	
283210	3	6	7W	8	0.045	1.14	0.060	1.52	0.740	18.80	297	442	456	679	
300380	4	6	7W	8	0.045	1.14	0.060	1.52	0.790	20.07	384	571	561	835	
283200	3	4	7W	8	0.045	1.14	0.060	1.52	0.825	20.96	442	658	642	955	
295390	4	4	7W	8	0.045	1.14	0.060	1.52	0.950	24.13	578	861	822	1223	
293600	3	2	7W	6	0.045	1.14	0.080	2.03	1.010	25.65	703	1046	979	1457	
295890	4	2	7W	6	0.045	1.14	0.080	2.03	1.090	27.69	919	1368	1235	1838	
297730*	3	1	19W	6	0.055	1.40	0.080	2.03	1.120	28.45	872	1298	1021	1594	
356740*	4	1	19W	6	0.055	1.40	0.080	2.03	1.235	31.37	1136	1691	1521	2264	
283220	3	1/0	19W	6	0.055	1.40	0.080	2.03	1.225	31.12	1069	1591	1439	2142	
294530*	4	1/0	19W	6	0.055	1.40	0.080	2.03	1.330	33.78	1413	2103	1820	2709	
284560	3	2/0	19W	6	0.055	1.40	0.080	2.03	1.300	33.02	1340	1994	1720	2560	
295360*	4	2/0	19W	6	0.055	1.40	0.080	2.03	1.440	36.58	1760	2619	2208	3286	
325700*	3	3/0	19W	4	0.055	1.40	0.080	2.03	1.420	36.07	1717	2555	2176	3238	
365750*	4	3/0	19W	4	0.055	1.40	0.080	2.03	1.570	39.88	2245	3341	2788	3405	
325110	3	4/0	19W	4	0.055	1.40	0.080	2.03	1.540	39.12	2130	3170	2614	3890	
346980*	4	4/0	19W	4	0.055	1.40	0.110	2.79	1.790	45.47	2796	4161	3495	5201	
300780	3	250	37W	4	0.065	1.65	0.110	2.79	1.760	44.70	2494	3712	3184	4738	
346990*	4	250	37W	4	0.065	1.65	0.110	2.79	1.915	48.64	3282	4884	4019	5981	
325120	3	350	37W	3	0.065	1.65	0.110	2.79	1.960	49.78	3474	5170	4187	6231	
347000*	4	350	37W	3	0.065	1.65	0.110	2.79	2.165	54.99	4577	6811	5436	8090	
298020	3	500	37W	2	0.065	1.65	0.110	2.79	2.245	57.02	4934	7343	5847	8702	
14407.546500*	4	500	37W	2	0.065	1.65	0.110	2.79	2.475	62.87	6509	9687	7607	11321	
14407.247000*	3	750	61W	1	0.080	2.03	0.140	3.56	2.810	71.37	7278	10831	9145	13610	
14407.547000*	4	750	61W	1	0.080	2.03	0.140	3.56	3.115	79.12	9712	14453	11805	17569	

Dimensions and weights are nominal; subject to industry tolerances.

\* Non-stock item; minimum runs apply. Please consult Customer Service for price and delivery.

<sup>1</sup> Approved as TYPE TC-ER for Exposed Run applications of 3 or more conductors as defined by NEC.



Phone: 888-593-3355  
www.generalcable.com



10/8/2015

## URL Series

LED Roadway

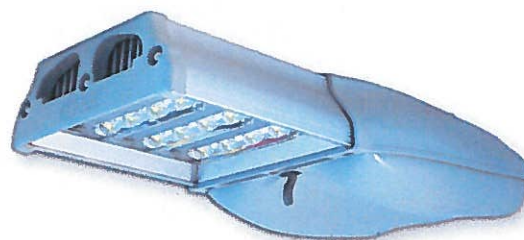
70 CRI; 4000K

Will replace 70w to 400w HID

The URL Series LED Roadway is a powerful, energy saving roadway light fixture. Long-life LEDs make this an attractive fixture for new construction or retrofit projects.

### Features:

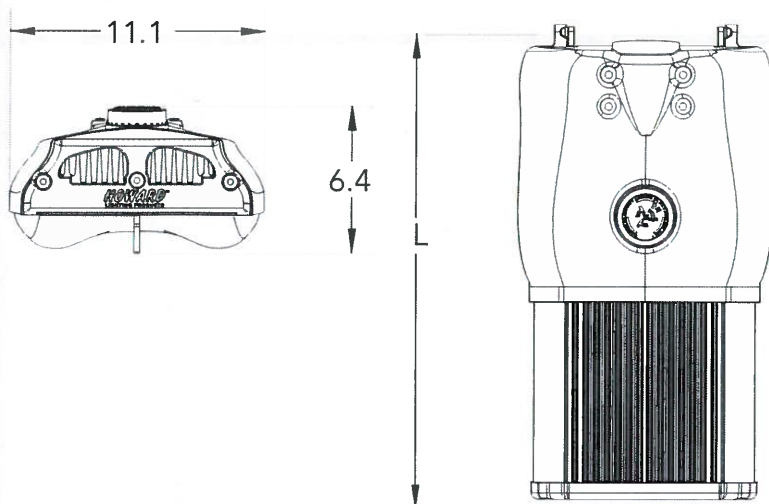
- Domestically Designed; Assembled in USA
- Up to 274K hours  $L_{70}$
- Up to 68% energy savings
- Heavy Duty Aluminum Die-Cast Housing
- 70 CRI 4000K
- Standard Gray Housing Color
- Operating Temperature:  $-20^{\circ}\text{C}$  to  $50^{\circ}\text{C}$
- Power Factor (PF)  $>0.9$
- Total Harmonic Distortion (THD)  $\leq 20\%$
- Other color options: Black, Bronze, Silver, White, or Unpainted
- Options include:
  - Two Bolt Fitter Clamp
  - Long-Life Photocontrol
  - Dimming Photocontrol
  - House Side Lighting Control
  - Seven Pin Twistlock Dimming Receptacle



### Applications:

- Streets and highways
- Parking lots
- Campuses
- Government and public facilities
- Mixed-use developments
- Residential communities
- Retail centers

### Dimensions:



### Effective Projected Area (EPA):

- URL04 = 0.65
- URL08 = 0.71
- URL12 = 0.76
- URL16 = 0.88



Visit [www.designlights.org](http://www.designlights.org)  
for the Qualified Products List

**URL Series**

LED Roadway  
70 CRI; 4000K

Will replace 70w to 400w HID



LED Roadway Fixture

Model Family	# LEDs	Optics	Drive Current	CCT <sup>1</sup>	Voltage	Housing Color <sup>2</sup>	PEC Function	Options <sup>3</sup>
URL	12	3M	70	40	U	GY	L	00000
URL LED Utility Roadway	04 08 <b>12</b> 16	<b>3M: Type III</b> 4M: Type IV 2T: Type II 3T: Type III	<b>70: High Efficacy</b> 10: High Power	<b>40: 4000K</b>	<b>U: 120-277v</b>	<b>GY: Gray (Stand)</b> BK: Black BZ: Bronze SL: Silver UP: Unpainted WH: White	L: Long Life Photocell P: Standard Photocell <b>N: No Controls</b> S: Shorting Cap	<b>00000: No Options</b> A: 2-Bolt Fitter Clamp B: Bubble Level G: Bird Guard 7: Seven Pin Twistlock ANSI C136.41 Dimming Receptacle

1. Consult factory for other CCT options.
2. Consult factory for non-gray housing colors.
3. Consult factory for ordering option configuration.

Sample Ordering Number:  
URL 12 3M 70 40 U GY L 00000  
LED Utility Roadway  
12 LEDs  
3M Optics  
700mA  
4000K (70 CRI)  
120-277v  
Gray Housing  
Long Life Photocell  
No Options

**DLC Listed Models**

- URL043M7040U
- URL043M1040U
- URL083M7040U
- URL083M1040U
- URL123M7040U
- URL123M1040U
- URL163M7040U
- URL163M1040U



Visit [www.designlights.org](http://www.designlights.org)  
for the Qualified Products List

Specifications subject to change without notice.